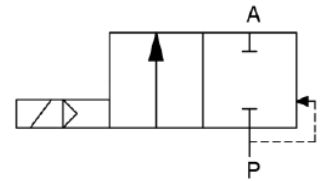


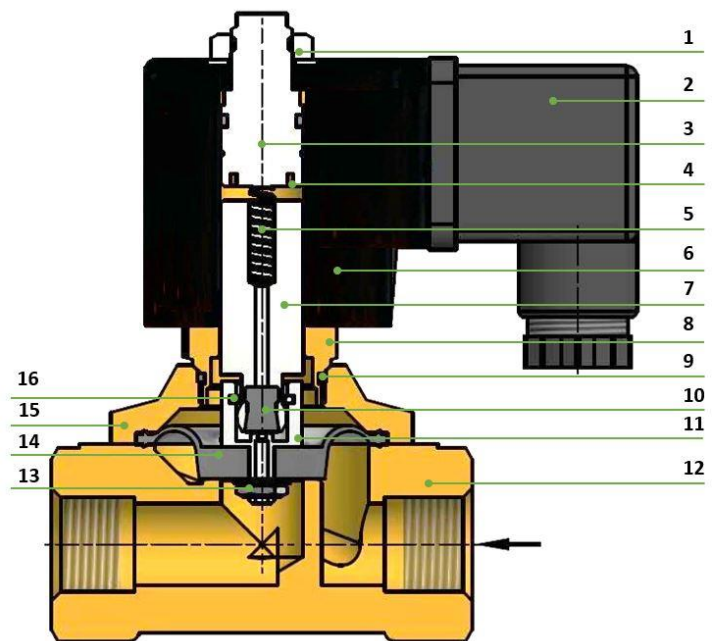
Normal position NC
 Housing Brass (CW614N)
 Ambient temperature -10 °C to 50 °C
 Medium temperature -10 °C to 100 °C (FPM)
 -20 °C to 85 °C (NBR)

Mounting position Solenoid preferably in upright position
 Protection IP IP 65 (with connector socket fitted)
 Electrical connection Connector socket, industrial standard type A –
 EN 175301-803-A
 Voltage tolerance ± 10% acc. VDE 0580
 Power 230V 50Hz: 20VA
 110V AC: 17.6VA
 24V DC: 18.5W
 24V AC: 20VA
 12V DC: 33W
 Duty cycle 100% ED



Materials

No.	Part	Material
1	Nut	Galvanised steel
2	Connector socket	Plastic
3	Pole core	Stainless steel
4	Short circuit ring	Copper
5	Spring	Stainless steel
6	Solenoid	Plastic cover
7	Plunger	Stainless steel
8	Guide tube	Brass
9	O-Ring	FPM/NBR
10	Sealing plug	FPM/NBR
11	Input control unit	Stainless steel
12	Housing	Brass
13	Washer, nut	Stainless steel
14	Diaphragm	FPM/NBR
15	Flange	Brass
16	Circlip	Stainless steel



P 3-545 e

2/2-way solenoid valves

combined operation
professional standard series
Art. No. 129400 to 129464

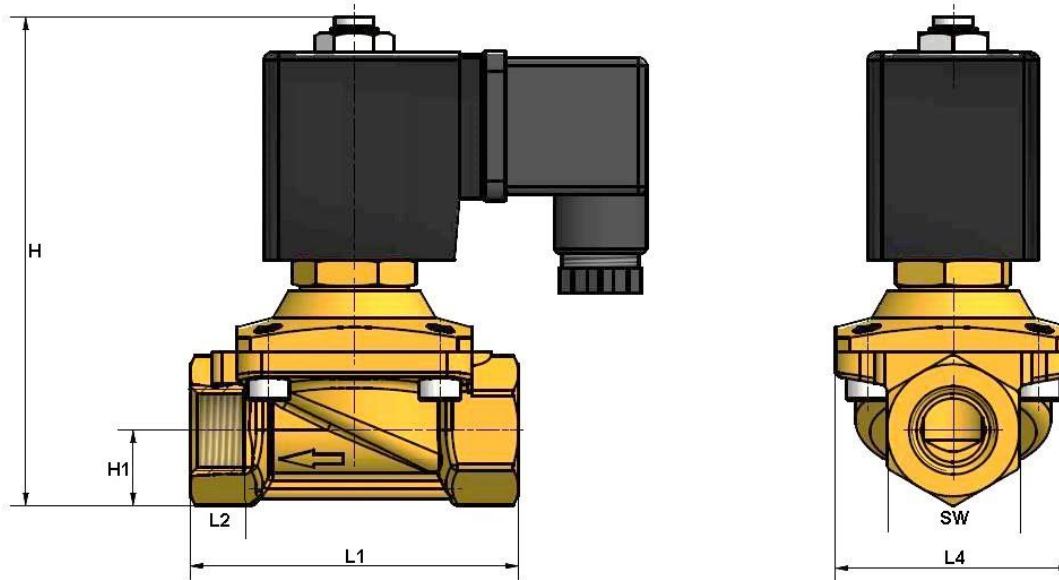


Solenoid valve, normally closed, combined operation, alternating current

Art. No.	Type No.	Thread	DN	Voltage	Sealant	Operating pressure bar	Flow rate m ³ /h
129400	MVA.38.MS.230.F.RZ.13	G 3/8	13	230V AC	FPM	0 - 12	2.0
129414	MVA.38.MS.24A.F.RZ.13	G 3/8	13	24V AC	FPM	0 - 12	2.0
129421	MVA.38.MS.110.F.RZ.13	G 3/8	13	110V AC	FPM	0 - 12	2.0
129435	MVA.38.MS.230.N.RZ.13	G 3/8	13	230V AC	NBR	0 - 12	2.0
129449	MVA.38.MS.24A.N.RZ.13	G 3/8	13	24V AC	NBR	0 - 12	2.0
129456	MVA.38.MS.110.N.RZ.13	G 3/8	13	110V AC	NBR	0 - 12	2.0
129401	MVA.12.MS.230.F.RZ.13	G 1/2	13	230V AC	FPM	0 - 12	2.2
129415	MVA.12.MS.24A.F.RZ.13	G 1/2	13	24V AC	FPM	0 - 12	2.2
129422	MVA.12.MS.110.F.RZ.13	G 1/2	13	110V AC	FPM	0 - 12	2.2
129436	MVA.12.MS.230.N.RZ.13	G 1/2	13	230V AC	NBR	0 - 12	2.2
129450	MVA.12.MS.24A.N.RZ.13	G 1/2	13	24V AC	NBR	0 - 12	2.2
129457	MVA.12.MS.110.N.RZ.13	G 1/2	13	110V AC	NBR	0 - 12	2.2

Solenoid valve, normally closed, combined operation, direct current

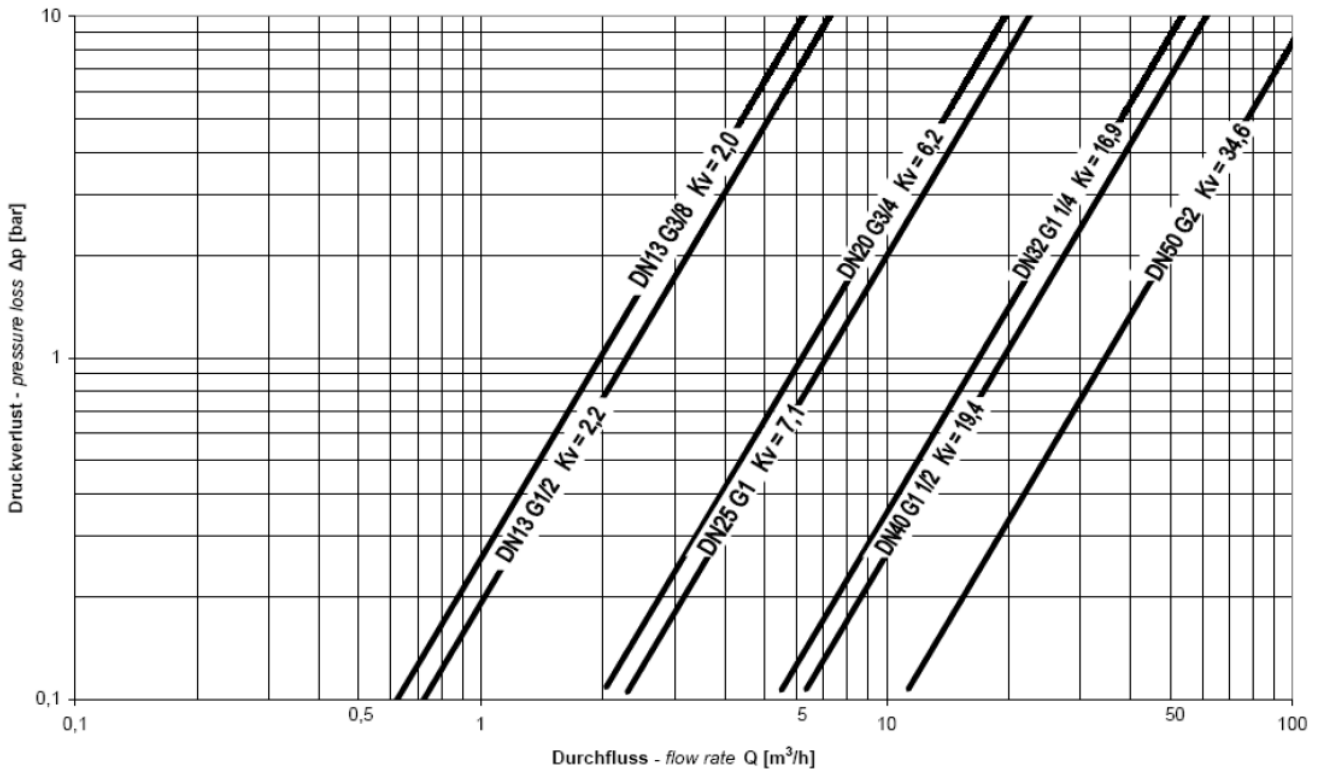
Art. No.	Type No.	Thread	DN	Voltage	Sealant	Operating pressure bar	Flow rate m ³ /h
129407	MVA.38.MS.24D.F.RZ.13	G 3/8	13	24V DC	FPM	0 - 12	2.0
129428	MVA.38.MS.12.F.RZ.13	G 3/8	13	12V DC	FPM	0 - 12	2.0
129442	MVA.38.MS.24D.N.RZ.13	G 3/8	13	24V DC	NBR	0 - 12	2.0
129463	MVA.38.MS.12.N.RZ.13	G 3/8	13	12V DC	NBR	0 - 12	2.0
129408	MVA.12.MS.24D.F.RZ.13	G 1/2	13	24V DC	FPM	0 - 12	2.2
129429	MVA.12.MS.12.F.RZ.13	G 1/2	13	12V DC	FPM	0 - 12	2.2
129443	MVA.12.MS.24D.N.RZ.13	G 1/2	13	24V DC	NBR	0 - 12	2.2
129464	MVA.12.MS.12.N.RZ.13	G 1/2	13	12V DC	NBR	0 - 12	2.2



Dimensions

Thread	SW mm	H mm	H1 mm	L1 mm	L2 mm	L4 mm
G 3/8	27	100.0	15.0	67.0	11.0	48.0
G 1/2	27	100.0	15.0	67.0	11.0	48.0

Druckverlust, K_V -Werte:
Pressure loss, K_V -value:



Umrechnung:
conversion: $C_v = K_V / 0,865$